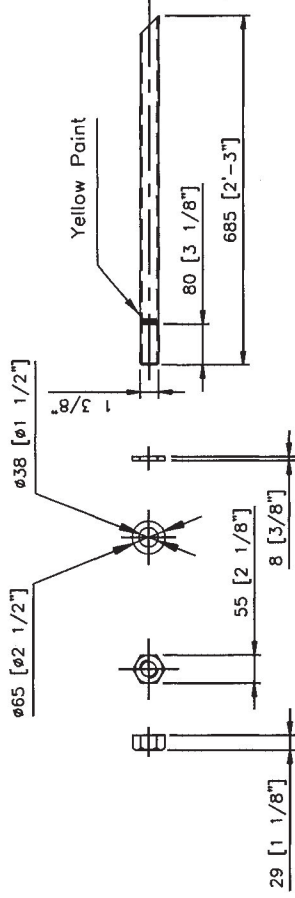
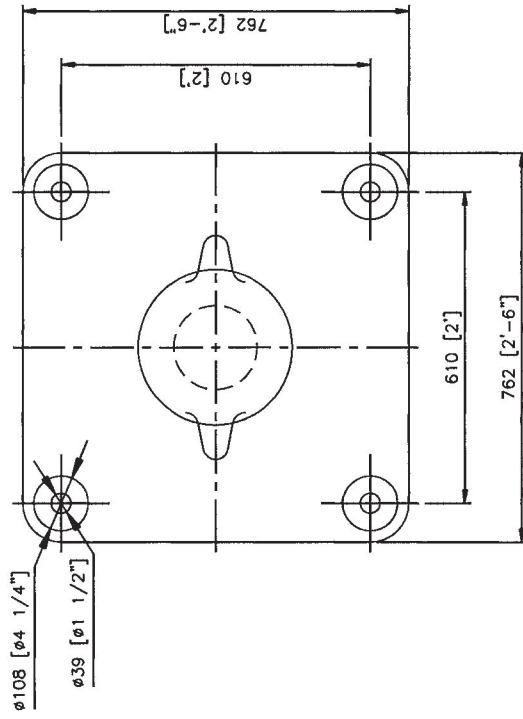
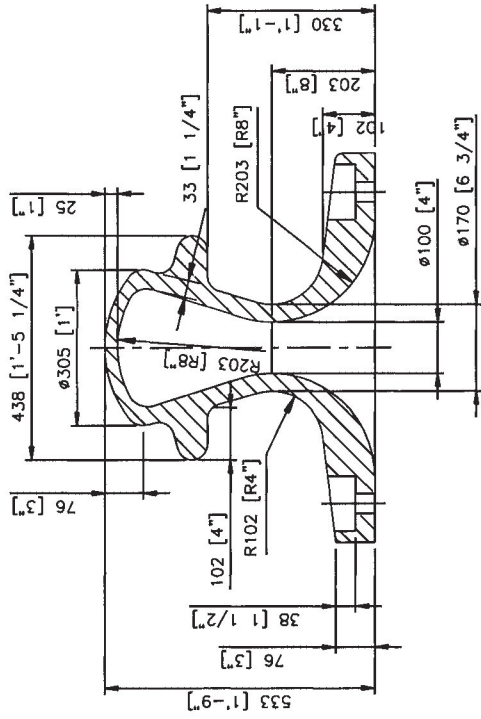


STATE OF HAWAII

DEPARTMENT OF TRANSPORTATION

HONOLULU, HAWAII

ATTACHMENT I

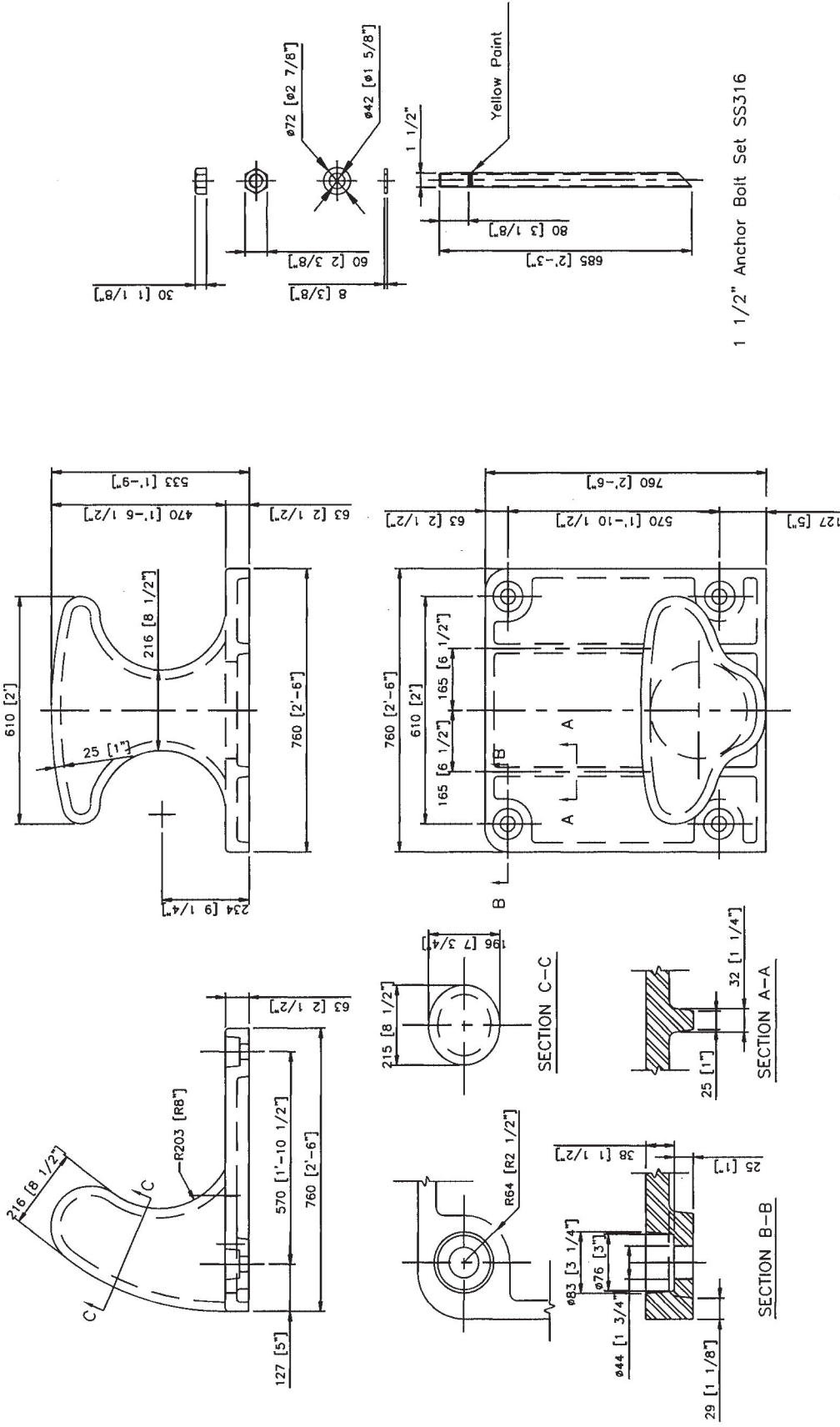


1 3/8" Anchor Bolt Set SS316

- Note:
1. ASTM A148 Grade 80-50 with Zinc Rich Primer / Polysiloxane Top Coats, Black, DFT 300 um .
 2. 1 3/8" x 2'-3"L Anchor Bolt SS316.

40T Custom Single Post Bollard & Hardware Details

2488 Technology Dr. Hayward, CA 94545, USA Tel. (510) 7834910 Fax. (510) 7831897 www.zaldotechnology.com		Drawing No 050213A	Drawing By NJC
		Date August. 4, 2017	Proof FF
		Rev 14	Approval WZ



1 1/2" Anchor Bolt Set SS316

Note:
 1. ASTM A148 Grade 80-50 with Zinc Rich Primer / Polysiloxane Top Coats, Black, DFT 300 um .
 2. 1 1/2" x 2'-3"L Anchor Bolt SS316.

50T Custom Offset Bollard & Hardware Details

Drawing No	021130	Drawing By	NJC
Date	July, 14, 2017	Proof	FF
Rev	5	Approval	WZ

2488 Technology Dr.
 Hayward, CA 94545, USA
 Tel. (510) 7834910 Fax. (510) 7831897
 www.zoldatechnology.com